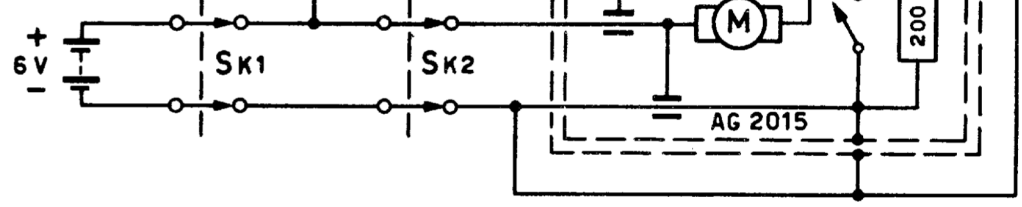
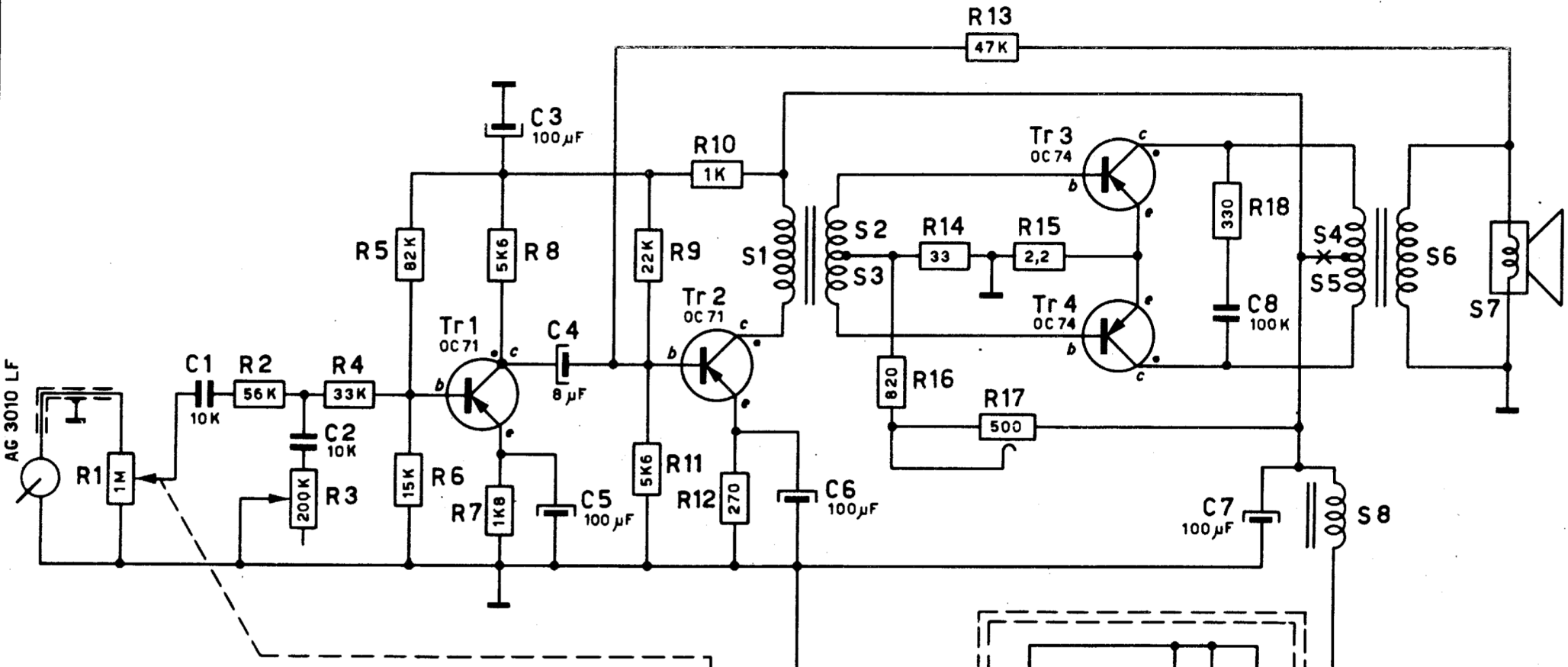


S:	1-		2-3-		4-5-8-			6-7	
C:	1-	2-	3-4-5-		6-		7-8		
R:	1-	2-	3-4-5-	6-7-	8-	9-11-10-12-	16-14-13-17-15-	18	



Registratore PHILIPS  
tipo EL 3541